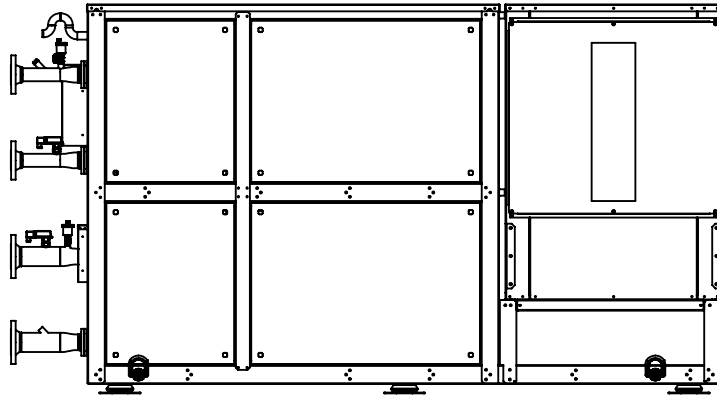
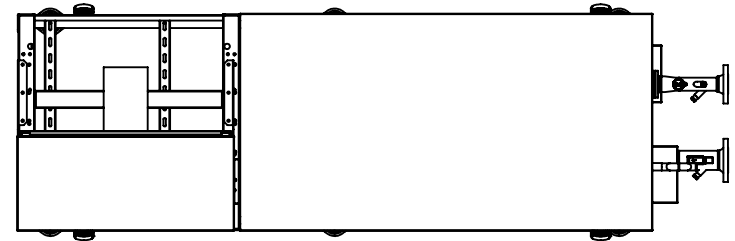


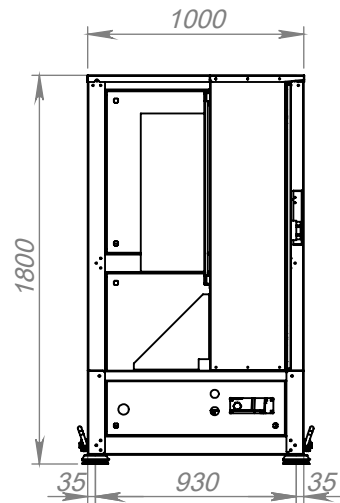
BACK VIEW



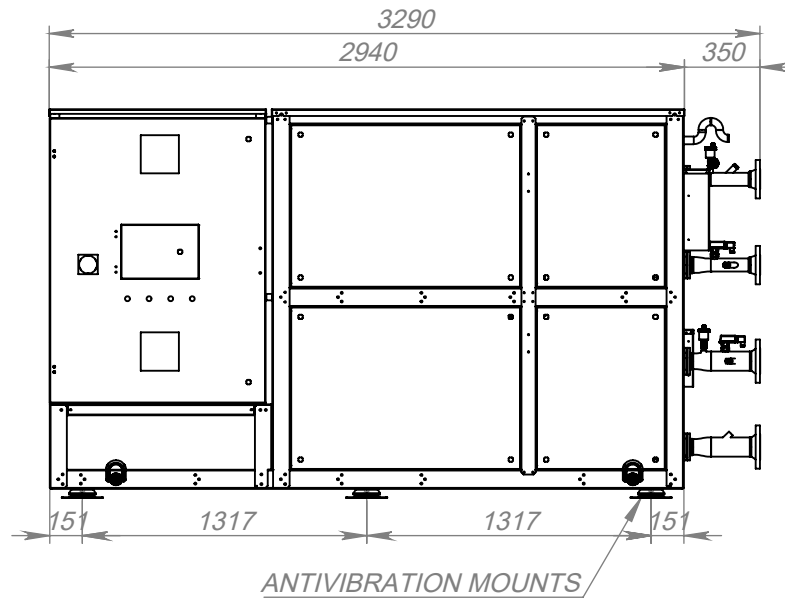
TOP VIEW



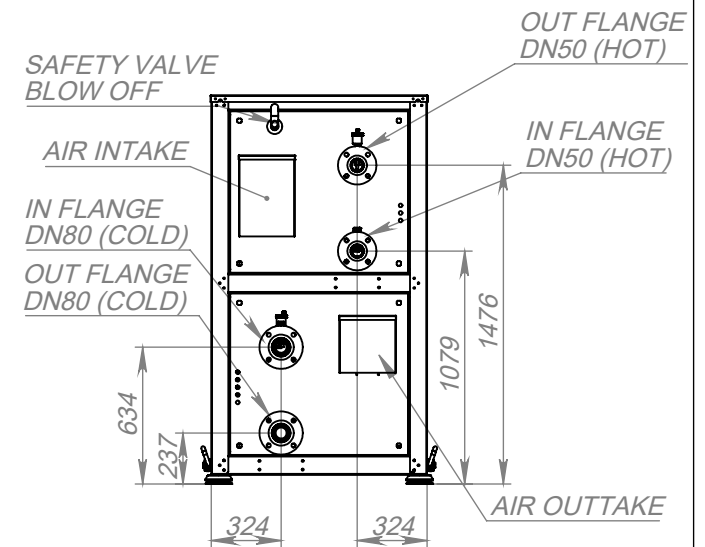
LEFT VIEW



FRONT VIEW



RIGHT VIEW

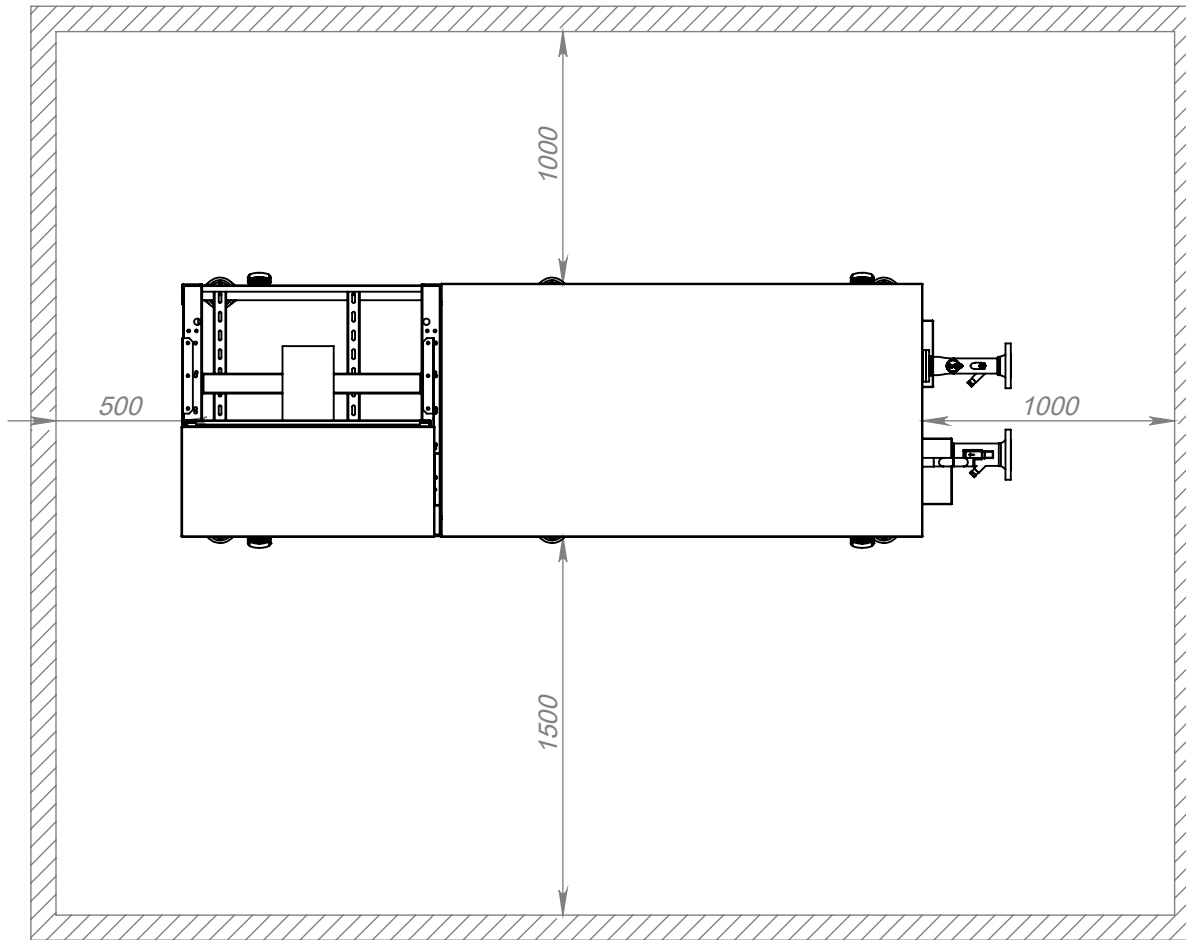


TRANSPORT WEIGHT: 1890 kg

TRANSPORT LENGTH: 3990 mm

	NAME:	SIGNATURE:		TITLE:	A4 SCALE: 1:35 SHEET 1 OF 2
DRAWN:	Ivan Križanović			WW - 2xZ50-154AXH	
CHK'D:				RN 375/21	
APPV'D:		DATE: 24/09/2021			

SERVICE CLEARANCE



	NAME:	SIGNATURE:		TITLE:	A4 SCALE: 1:20 SHEET 2 OF 2
DRAWN:	<i>Ivan Kržanović</i>			WW - 2xZ50-154AXH	
CHK'D:					
APPV'D:				RN 349/21	
			DATE: 24/09/2021		